



# CONF30

## CompactFlash Daughter Board



Part of the Confirma™ ASIC/ASSP Verification Platform

The primary use of the CONF30 board is to configure the FPGAs on motherboards in the HAPS-30 family from CompactFlash devices. Configuration is controlled via an address select switch and a reset button. Status is indicated by a set of LEDs. CONF30 also has ten push buttons and five LEDs for general purpose use.

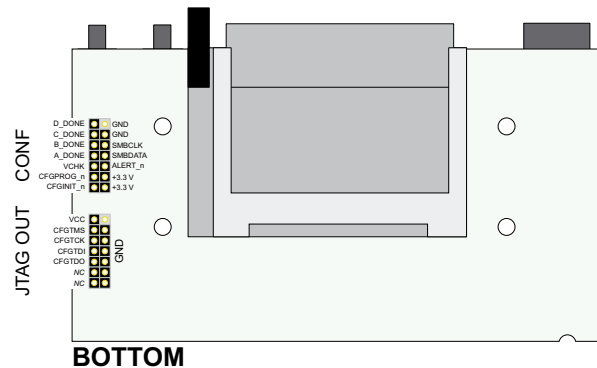
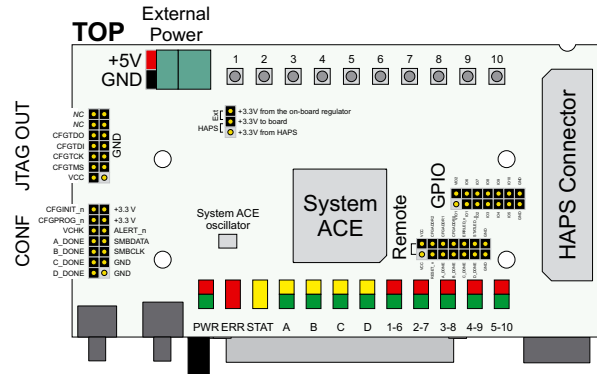
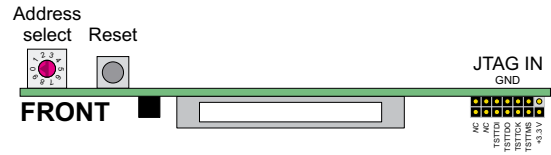
CONF30 is designed to fit directly on top of the HAPS-34 motherboard, and is pre-mounted on delivery. Provisions are also made to use CONF30 as a front panel interface in a HAPS case. When delivered separately, CONF30 comes mounted in a case.

### Features

- System ACE CompactFlash interface with indicator LEDs for ERROR and STATUS signals, configuration address switch and a reset button for reconfiguring FPGAs
- System ACE micro controller interface connected to a HAPS daughter board connector
- 10 general purpose push buttons
- 5 general purpose LEDs
- Compatible with Xilinx high speed download cable IV (2 mm ribbon cable)
- JTAG +2.5V and +3.3V compatible
- Comes pre-mounted in a case



### Board Layout



Synplicity, Inc.  
600 West California Avenue  
Sunnyvale, CA 94086 USA

Phone: (U.S.) +1 408 215-6000  
Fax: (U.S.) +1 408 222-0263  
www.synplicity.com

30308HAPS