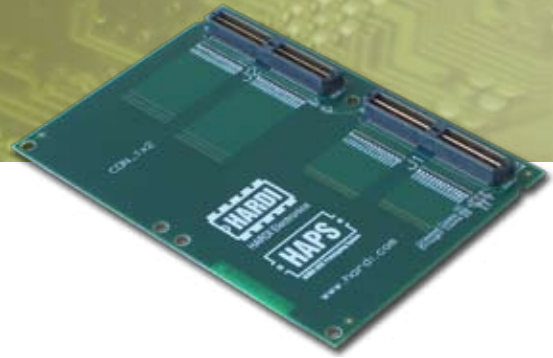




CON_1x2

Interconnect Daughter Board



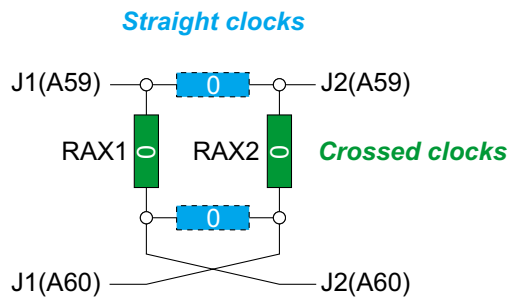
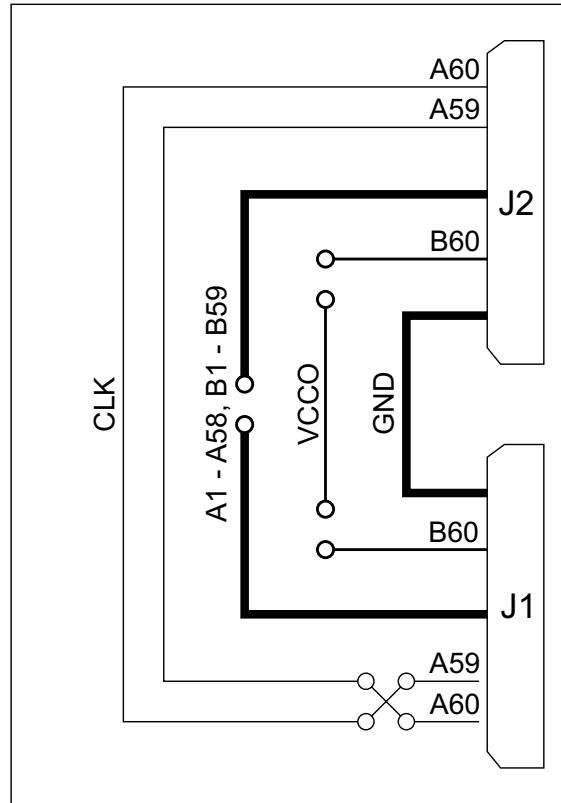
Part of the Confirma™ ASIC/ASSP Verification Platform

CON_2x1 connects all signals in two connectors adjacent in the longitudinal direction. The primary use is for adding connections between FPGAs.

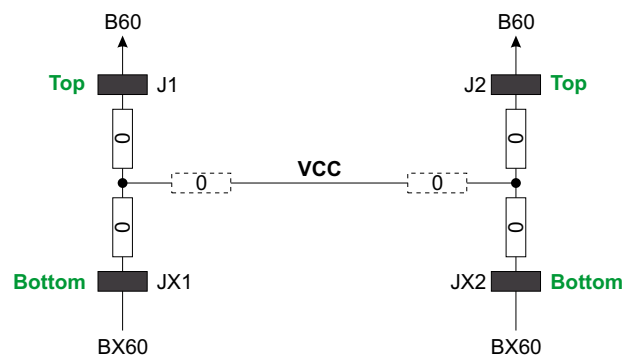
The board has connectors mounted on top of the board as well, in parallel with the normal daughter board connectors, allowing other daughter boards to be mounted on top of the CON_1x2 board. This allows the creation of a “bus” where two FPGAs can share common subsystems such as RAM or I/O boards.

Features

- Form factor: 1x2 (occupies two daughter board connectors)
- Connects 117 signals between two connectors. The signals can be individually disconnected.
- Connects the dedicated clock pins, A60, either straight or crossed to A59
- Connects GND in the two connectors
- VCCO (B60) in the two connectors can be connected together
- “Top side” connectors allows other daughter boards to share the bus with the FPGAs



Clocks (pins A60 and A59)



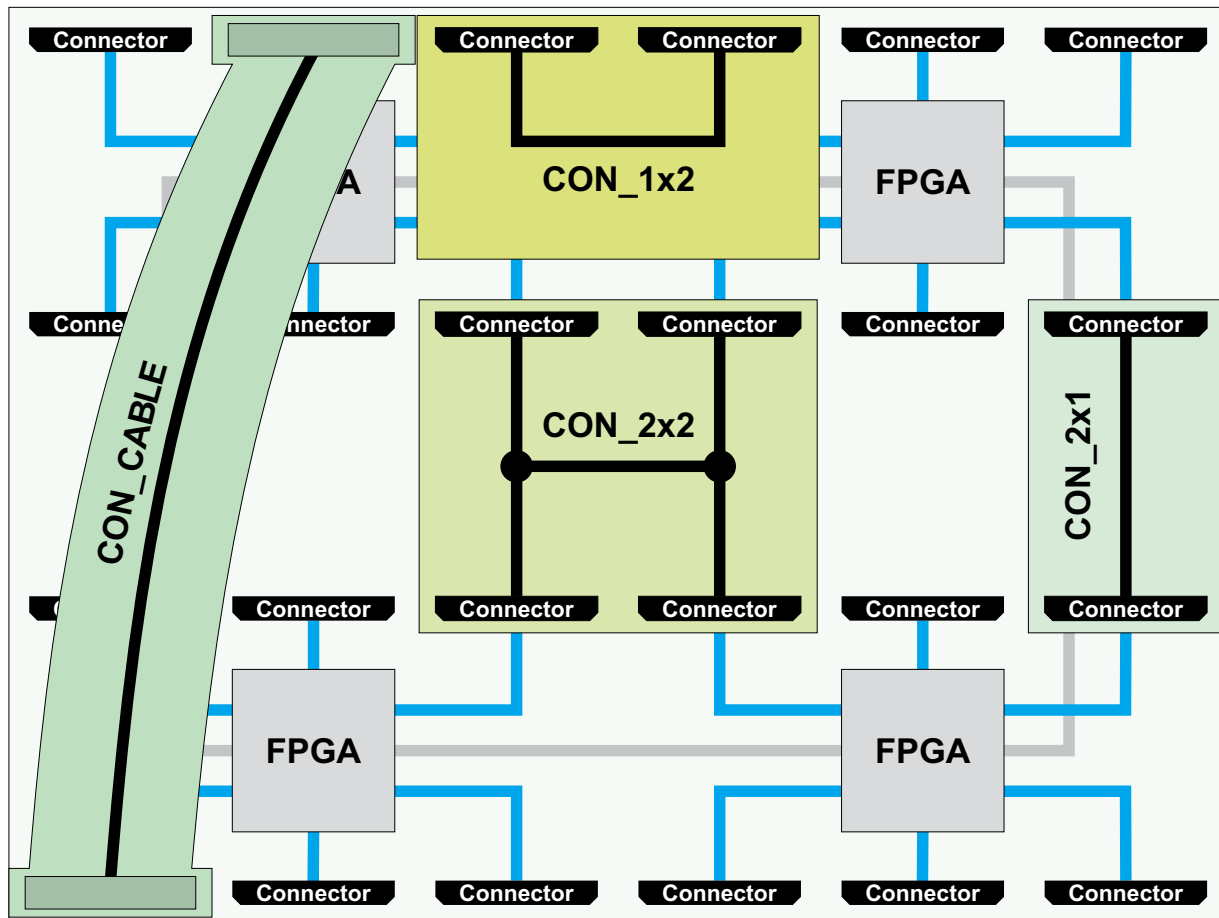
VCCO (pin B60)

Other Interconnect Boards

Besides the CON_1x2 board, other interconnect boards and cables are available:

- CON_2x1 - 2-way bus in the transversal direction
- CON_2x2 - 4-way bus, or two diagonal buses
- CON_1x1 - vertical bus; available in four different heights
- CON_CABLE40 - 2-way bus; 40 cm long ribbon coax cable with controlled wire impedance
- CON_CABLE40X - 2-way bus; 40 cm long extension cable
- CON_CABLE_RIO - RocketIO bus; for non-adjacent connectors
- CON_RIO - RocketIO bus; for adjacent connectors

Example of Use



Synplicity, Inc.
600 West California Avenue
Sunnyvale, CA 94086 USA

Phone: (U.S.) +1 408 215-6000
Fax: (U.S.) +1 408 222-0263
www.synplicity.com

30308HAPS